

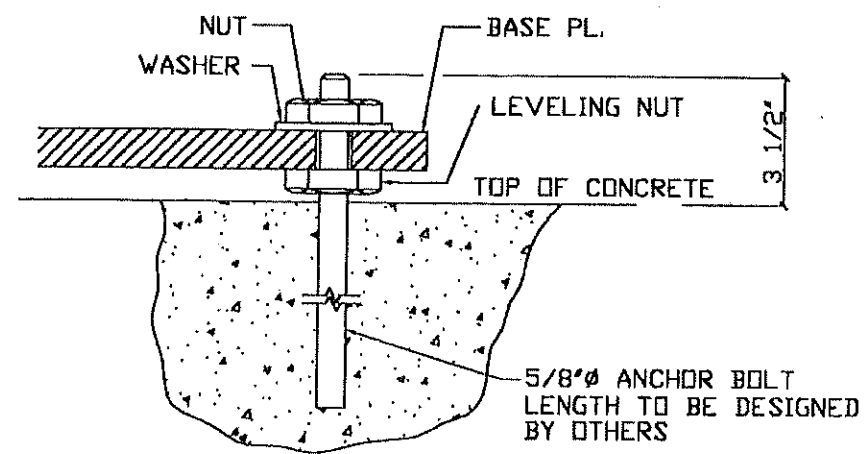
ANCHOR BOLT PLAN

GENERAL CONSTRUCTION

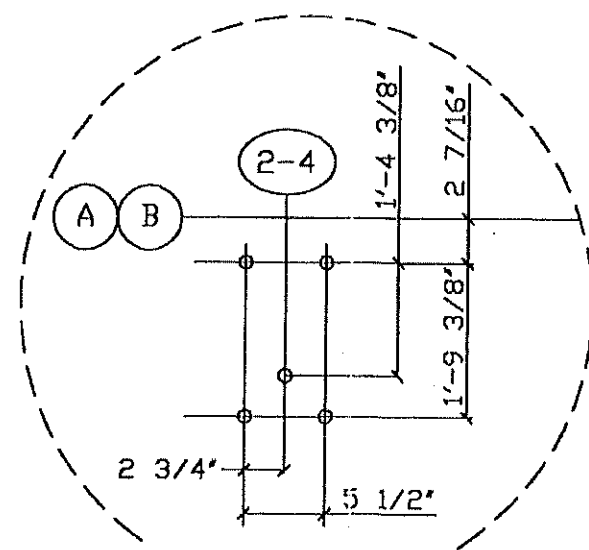
1. THE INTENT OF THE STRUCTURAL DRAWINGS IS TO SHOW THE MAIN STRUCTURAL COMPONENTS MAKING UP THE SUPERSTRUCTURE FOR THE PROJECT.
2. FOUNDATION MUST BE DESIGNED BY A REGISTERED ENGINEER FOR LOCAL LOADS & SOIL CONDITIONS.
3. FOUNDATION MUST PROVIDE A MINIMUM OF 3" OF CONCRETE COVER ON THE SIDES AND BOTTOM OF ALL ANCHOR BOLTS.
4. SITE SHALL BE AT LEAST 20 FEET AWAY FROM ANY OBSTRUCTIONS WHICH ARE HIGHER THAN THE SHELTER.

STRUCTURAL STEEL

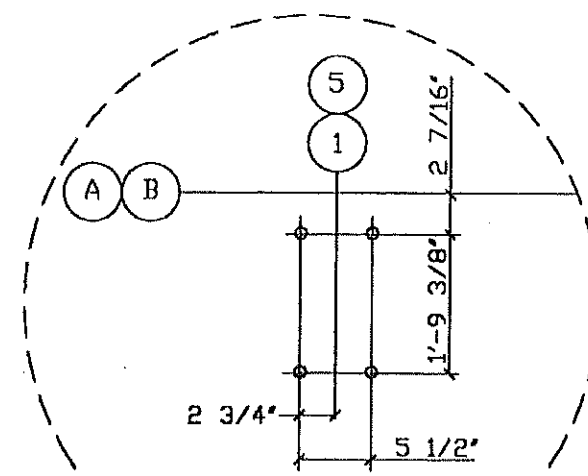
1. ALL WORK SHALL COMPLY WITH 'AISC SPECIFICATIONS FOR THE DESIGN, FABRICATION AND ERECTION OF STRUCTURAL STEEL FOR BUILDINGS.'
2. STRUCTURAL STEEL SHALL CONFORM TO ASTM 653 GRADE 55 CLASS 1 & ASTM A924.
3. ALL GAUGES ARE 14 OR BETTER HARDENED STEEL TUBE.
4. ALL THE PANELS (FRAMES) MUST BE ANCHORED TO THE GROUND AS SHOWN ON DRAWINGS TO PERFORM AS DESIGNED.
5. THE COVER MUST BE FULLY TENSIONED TO THE FRAME- NO SAG OR GAP.



TYPICAL ANCHOR BOLT DETAIL



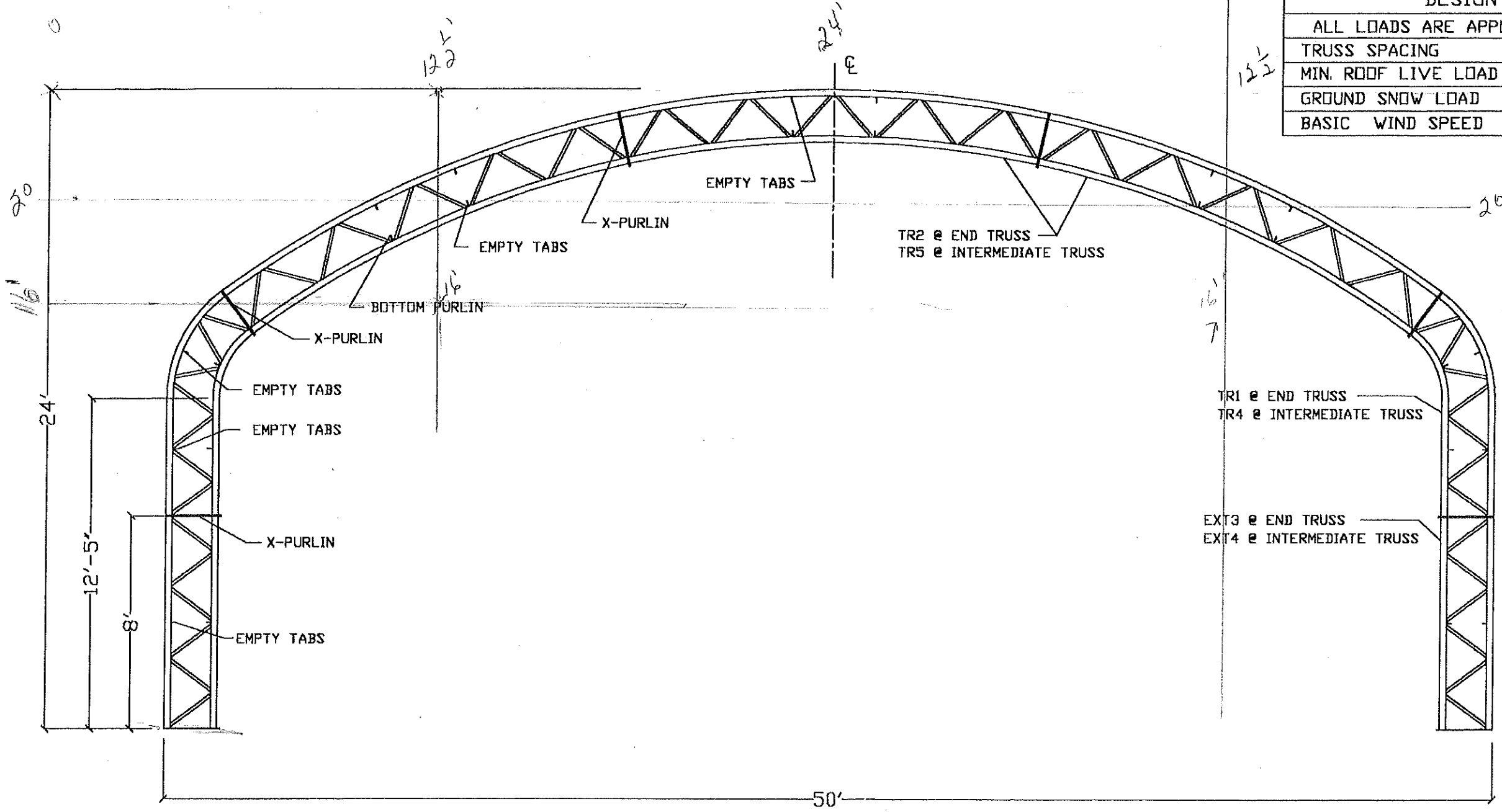
TYPICAL ANCHOR BOLT LAYOUT INTERMEDIATE TRUSS



TYPICAL ANCHOR BOLT LAYOUT END TRUSS


<b>STRUCTURAL ENGINEERING GROUP</b> 324 COUNTRY LANE, ORANGE, CT 06477					
<b>COVER</b> ALL WEATHER SHELTERS 17 WOOD STREET, WEST HAVEN, CT 06516					
PROJECT: <b>JILL WAID</b> WILLOW GROVE ST, HACKETTSTOWN, NJ 08740					
PRODUCT NAME: SHELTER #50-40-24-R10					
DRAWN BY	CHECKED BY	DATE	SCALE	JOB #	DRAWING #
A.S.	W.E.J.	03-04-03	NONE	142212	1 OF 4



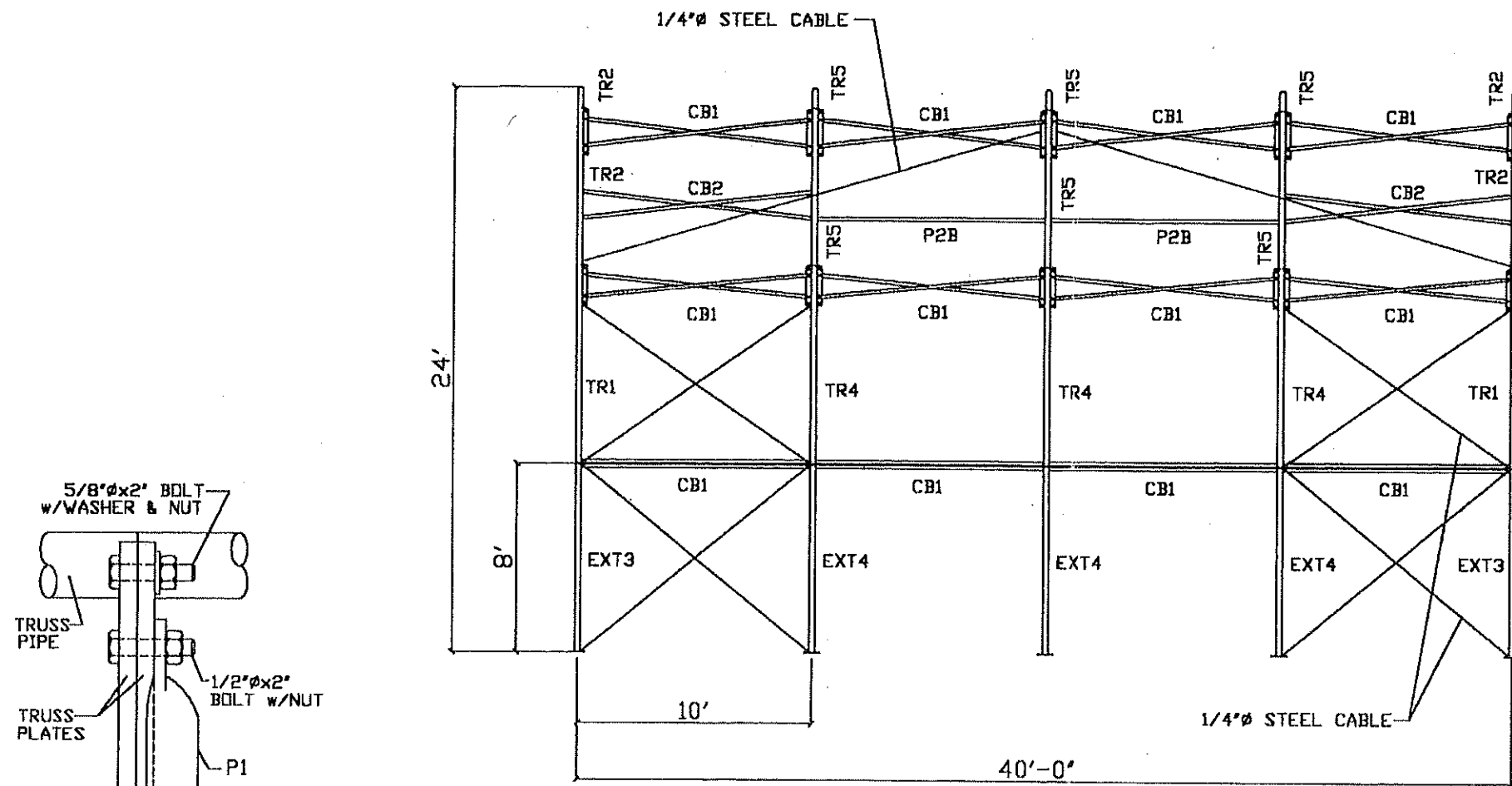


DESIGN LOADS	
ALL LOADS ARE APPLIED PER ASCE 7-95	
TRUSS SPACING	10'-0"
MIN. ROOF LIVE LOAD	12 PSF
GROUND SNOW LOAD	45 PSF
BASIC WIND SPEED	100 MPH

TYPICAL TRUSS ELEVATION  
 (ALL INFORMATION SYMMETRICAL ABOUT  $\text{E}$ )

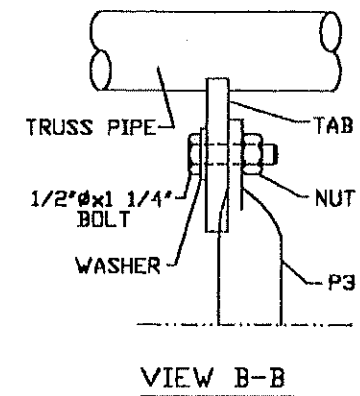
<b>STRUCTURAL ENGINEERING GROUP</b> 324 COUNTRY LANE, ORANGE, CT 06477				
<b>COVER</b>  ALL WEATHER SHELTERS 17 WOOD STREET, WEST HAVEN, CT 06516				
PROJECT: <b>JILL WAID</b> WILLOW GROVE ST, HACKETTSTOWN, NJ 08740				
PRODUCT NAME: SHELTER #50-40-24-R10				
DRAWN BY	CHECKED BY	DATE	SCALE	JOB #
A.S.	W.E.J.	03-04-03	NONE	142212
				DRAWING #
				2 OF 4



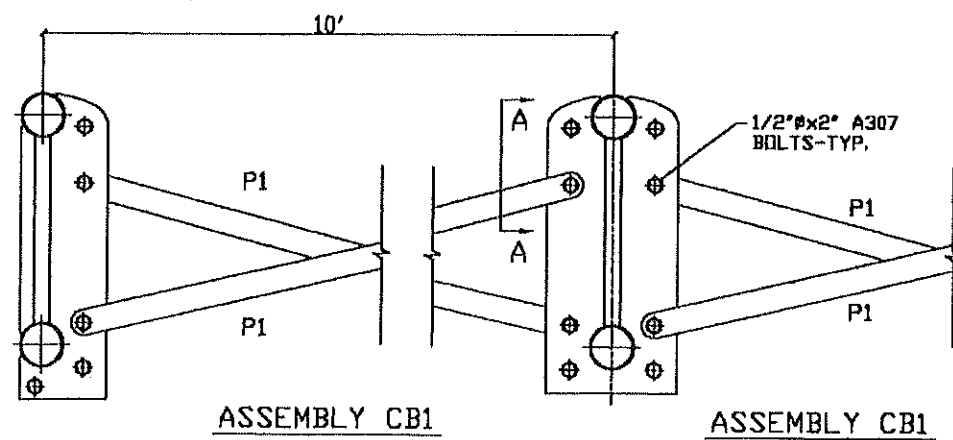


VIEW A-A

SIDE ELEVATION

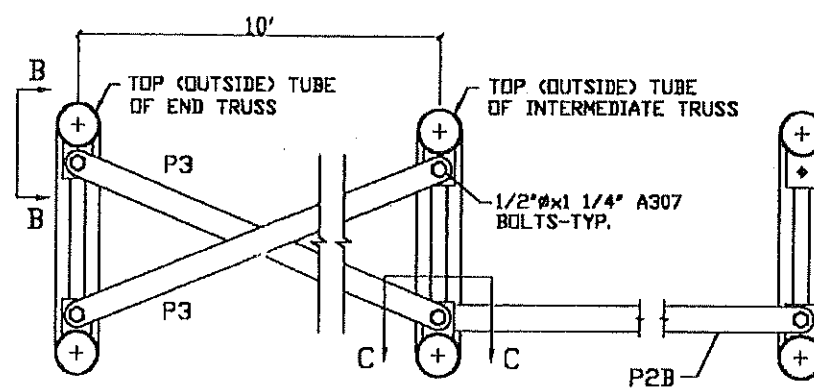


VIEW B-B



X-PURLIN DETAIL

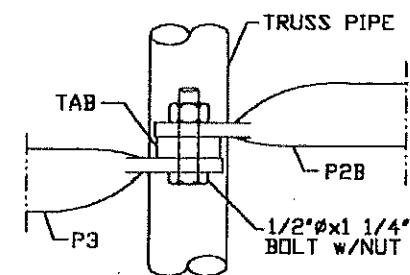
P1-PIPE 1660006 (ENDS PAINTED ORANGE, C/C 9'-7 7/8")



ASSEMBLY CB2

BOTTOM PURLIN DETAIL

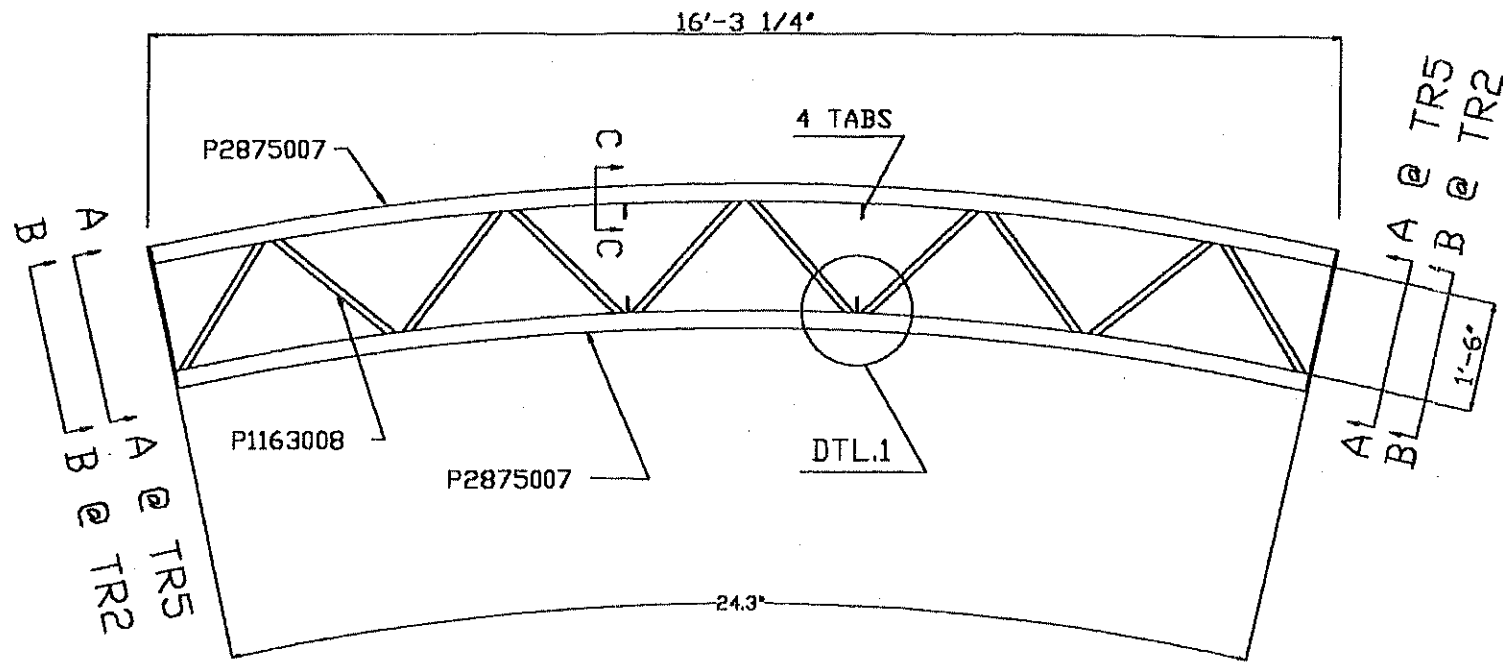
P2B-PIPE 1660006 (ENDS PAINTED YELLOW)  
P3 -PIPE 1660006 (ENDS PAINTED RED, C/C 10'-0 15/16")



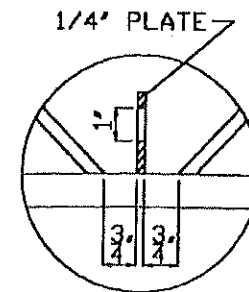
VIEW C-C

<b>STRUCTURAL ENGINEERING GROUP</b> 324 COUNTRY LANE, ORANGE, CT 06477					
<b>COVER</b> ALL WEATHER SHELTERS 17 WOOD STREET, WEST HAVEN, CT 06516					
PROJECT: <b>JILL WAD</b> WILLOW GROVE ST, HACKETTSTOWN, NJ 08740					
PRODUCT NAME: SHELTER #50-40-24-R10					
DRAWN BY	CHECKED BY	DATE	SCALE	JOB #	DRAWING #
A.S.	W.E.J.	03-04-03	NONE	142212	3 OF 4

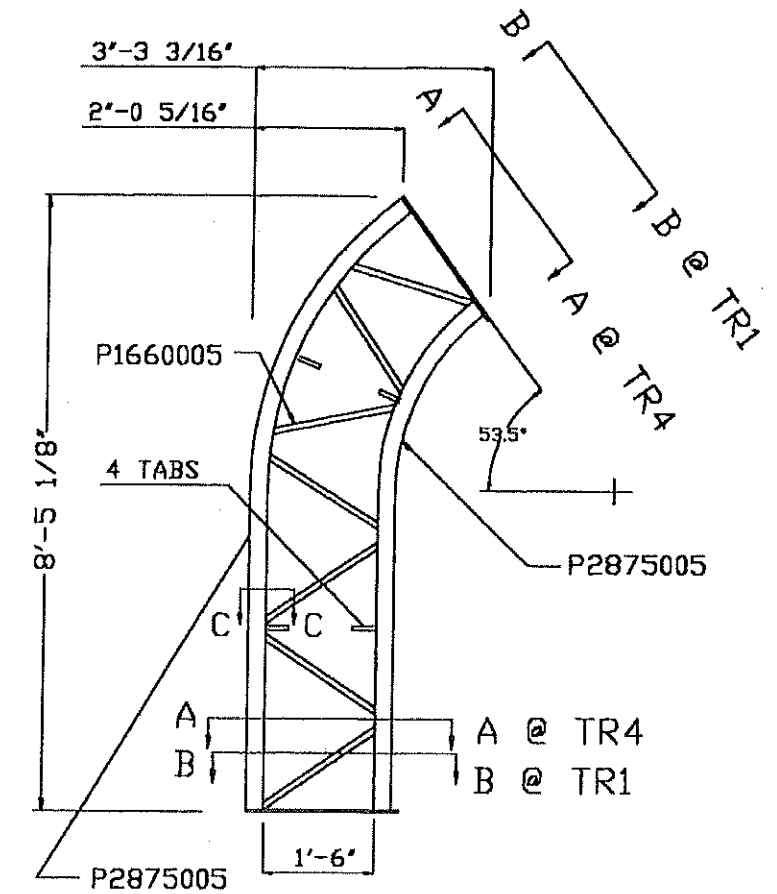




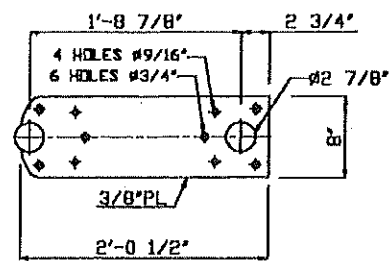
DETAIL - "TR2, TR5"



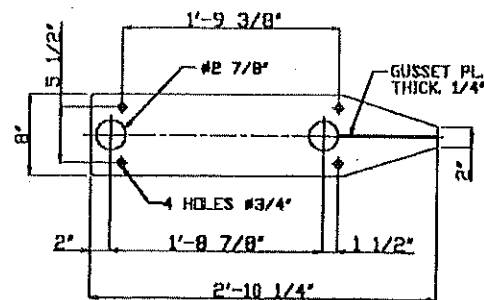
DETAIL 1



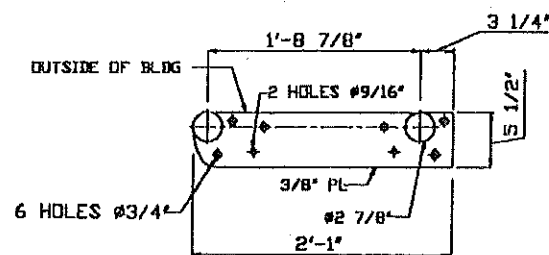
DETAIL - "TR1, TR4"



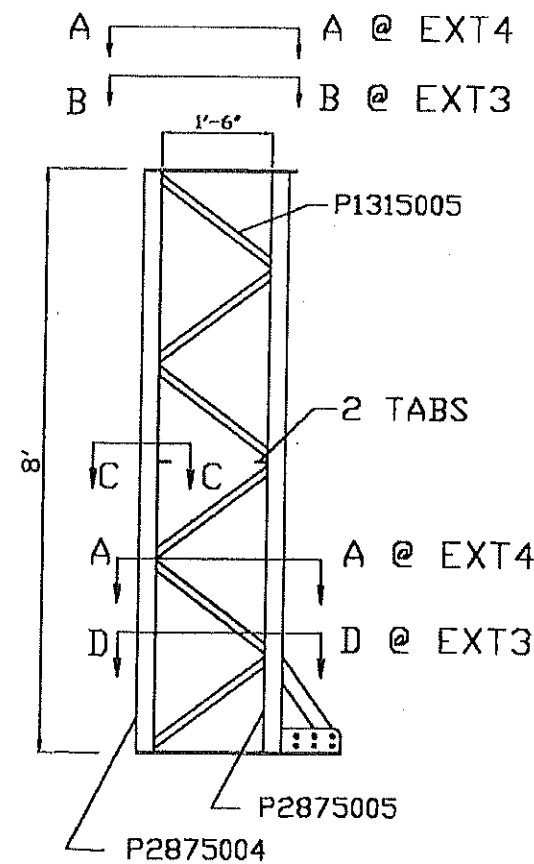
SECTION A - A



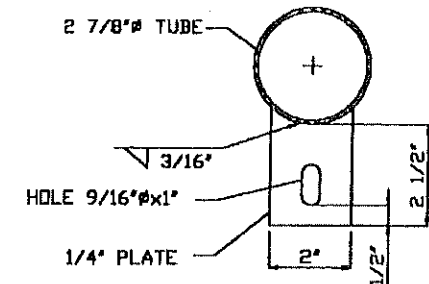
SECTION D - D



SECTION B - B



DETAIL - "EXT3, EXT4"



SECTION C - C

Fy=50 KSI FOR t≥0.072      Fy=36 KSI FOR t≤0.065

<b>STRUCTURAL ENGINEERING GROUP</b> 324 COUNTRY LANE, ORANGE, CT 06477					
<b>COVER IT</b> ALL WEATHER SHELTERS 17 WOOD STREET, WEST HAVEN, CT 06516					
PROJECT: <b>JILL WAID</b> WILLOW GROVE ST, HACKETTSTOWN, NJ 08740					
PRODUCT NAME: SHELTER #50-40-24-R10					
DRAWN BY	CHECKED BY	DATE	SCALE	JOB #	DRAWING #
A.S.	W.E.J.	03-04-03	NONE	142212	4 OF 4

